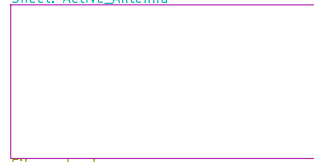


Sheet: [Active\\_Antenna](#)



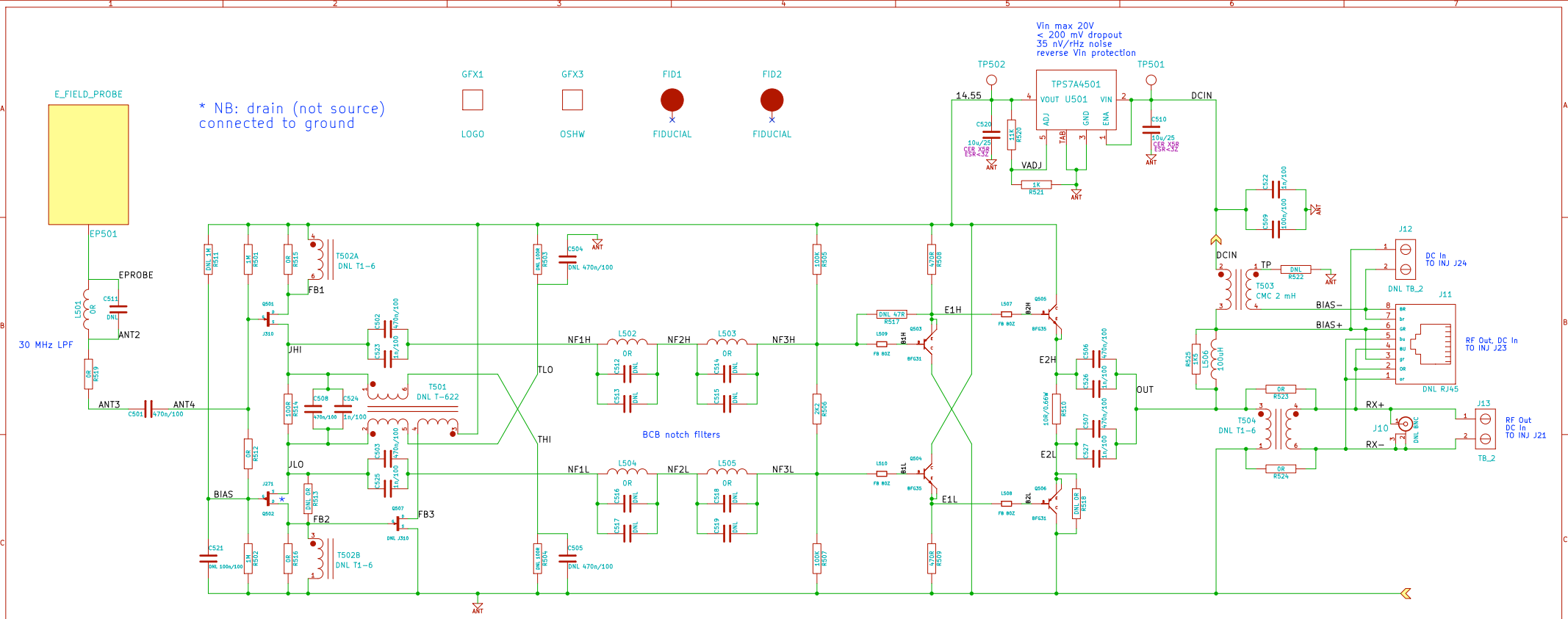
File: act.sch

Sheet: [Power\\_Injector](#)



File: pwr.sch

August 2015		
<b>Point Reyes Ventures, LLC</b>		
File:		
Sheet: /		
<b>Title: KiwiSDR – Active Antenna and Power Supply</b>		
Size: A4	Date: 6 sep 2015	<b>Rev: 1.0</b>
KiCad E.D.A.	eeschema (2013-mar-25)-stable	Id: 1/3



\* NB: drain (not source) connected to ground

- GFX1  LOGO
- GFX3  OSHW
- FID1  FIDUCIAL
- FID2  FIDUCIAL

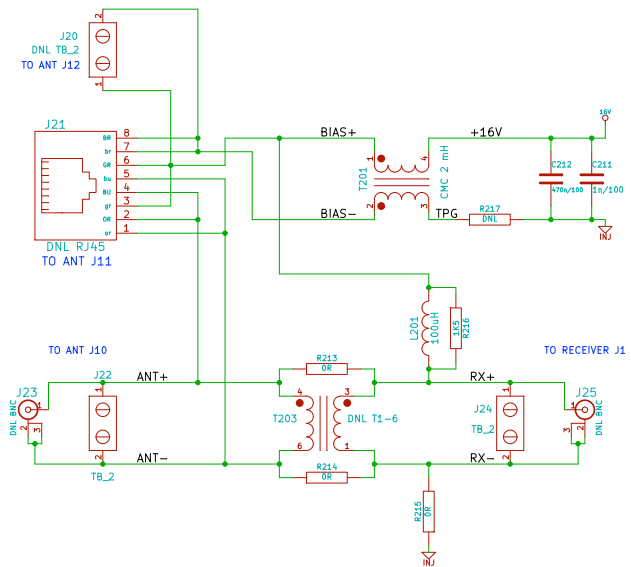
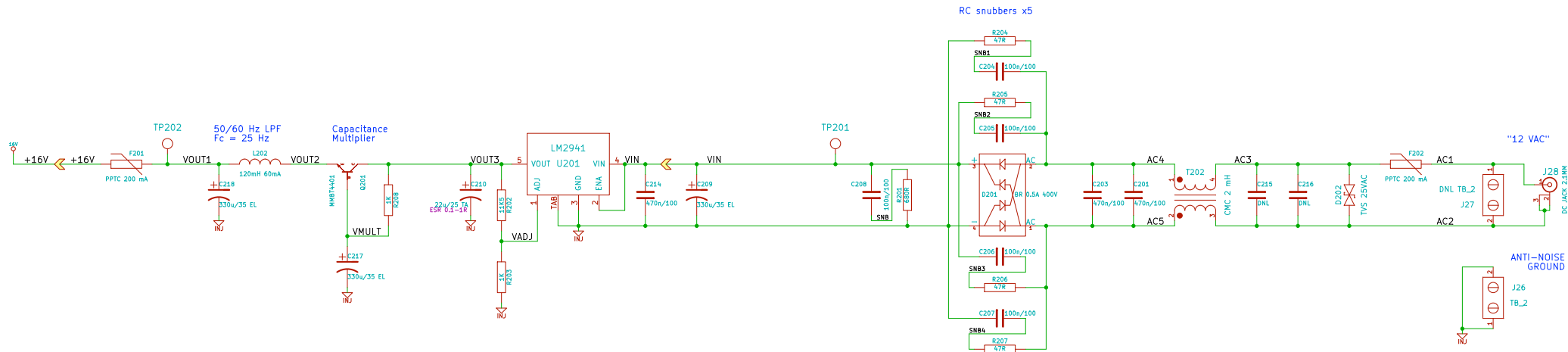
Vin max 20V  
 < 200 mV dropout  
 35 nV/√Hz noise  
 reverse Vin protection

PART	PA0RDT	TRASK	TRASK
	MINI	COMP	NEG
	WHIP	PUSH	FEED
		PULL	BACK
R501	DNL	1M	1M
R502	1M	1M	1M
R503	DNL	DNL	100R
R504	DNL	DNL	100R
R505	2K2	100K	100K
R506	OR	2K2	2K2
R507	10K	100K	100K
R508	DNL	470R	470R
R509	DNL	470R	470R
R510	220R	10R	10R
R511	1M	DNL	DNL
R512	1M	OR	DNL
R513	OR	DNL	DNL
R514	680R	100R	DNL
R515	OR	OR	DNL
R516	OR	OR	DNL
R517	47R	DNL	DNL
R518	OR	DNL	DNL

PART	PA0RDT	TRASK	TRASK
	MINI	COMP	NEG
	WHIP	PUSH	FEED
		PULL	BACK
C502	470n	470n	470n
C503	DNL	470n	470n
C504	DNL	DNL	470n
C505	DNL	DNL	470n
C506	470n	470n	470n
C507	DNL	470n	470n
C508	DNL	470n	DNL
C521	470n	DNL	DNL
C523	1n	1n	1n
C524	DNL	1n	DNL
C525	DNL	1n	1n
C526	1n	1n	1n
C527	DNL	1n	1n

PART	PA0RDT	TRASK	TRASK
	MINI	COMP	NEG
	WHIP	PUSH	FEED
		PULL	BACK
Q501	J310	J310	J310
Q502	DNL	J271	J271
Q503	DNL	BFG31	BFG31
Q504	DNL	BFG35	BFG35
Q505	BFG35	BFG35	BFG35
Q506	DNL	BFG31	BFG31
Q507	DNL	DNL	J310
T501	DNL	DNL	T-622
T502	DNL	DNL	T1-6
L507	LOAD	LOAD	LOAD
L508	DNL	LOAD	LOAD
L509	DNL	LOAD	LOAD
L510	DNL	LOAD	LOAD

PART	COAX	CAT5
R522	DNL	OR
R523	OR	DNL
R524	OR	DNL
R525	1K5	DNL
L506	100µH	DNL
T504	DNL	T1-6
J11	DNL	OPT
J12	DNL	OPT



PART	COAX	CAT5
R213	0R	DNL
R214	0R	DNL
R215	0R	DNL
R216	1K5	DNL
R217	DNL	0R
T203	DNL	T1-6
L201	100µH	DNL
J23	DNL	OPT
J24	DNL	OPT

